

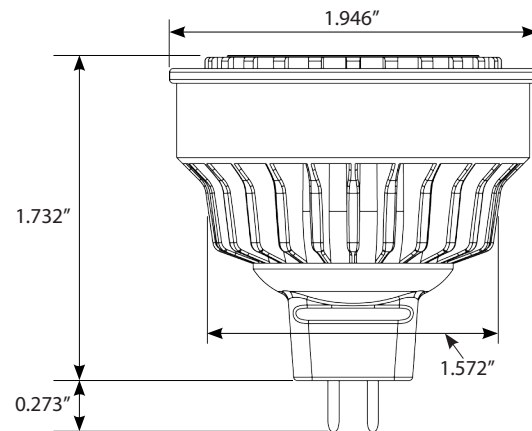
COMMON SPECIFICATIONS

- Volts - 12 VAC Optimum (9 - 15 VAC)
- Integrated RF protection to inhibit interference with home electronic devices
- Epoxy Potted circuitry - Suitable for outdoor high moisture environments
- 7 Year Warranty
- Die-Cast Aluminum Body for improved thermal management
- Available in 2,700k and 3,000k
- High CRIs 80+
- Multiple Beam Spreads (NS, FL, WF)
- Dimmable

LX5-MR16 (50 Watt Halogen Equiv)

- 2700 or 3000k
- LED Watts
 - @ 12 VAC = 7.46 LED Watts
 - @ 15 VAC = 9.33 LED Watts
- Lumens (avg) - 450 @ 2700k, 470 @ 3000k
- CRIa - 80.3 @ 3000k
- CRI 14 - 97 @ 3000k (green leaf)
- Efficacy - 76.79 LpW Avg.
- NS (Narrow Spot 15°) FL (Flood 40°) WF (Wide Flood 60°)
- GU 5.3 Base
- Models
 - LX5-MR16-NS-27K
 - LX5-MR16-NS-30K
 - LX5-MR16-FL-27K
 - LX5-MR16-FL-30K
 - LX5-MR16-WF-27K
 - LX5-MR16-WF-30K

LED LAMP OUTDOOR RATED FOR USE IN A LOW VOLTAGE LANDSCAPE LIGHTING FIXTURE 50 WATT HALOGEN EQUIVALENT




UNIVERSAL[®]
LIGHTING SYSTEMS

- All Lamps are rated at 50,000 hours with a 7 year warranty.
- All lamps are rated at 2,700 or 3,000 kelvin $\pm 10\%$.
- All LED's are measured at 12 volts AC when determining expected life. Increasing voltage above 12 volts AC may decrease life of LED.