

## DL2100 Series Installation Instructions

### SAVE THESE INSTRUCTIONS

#### WARNING – TO REDUCE THE RISK OF FIRE OR INJURY TO PERSONS:

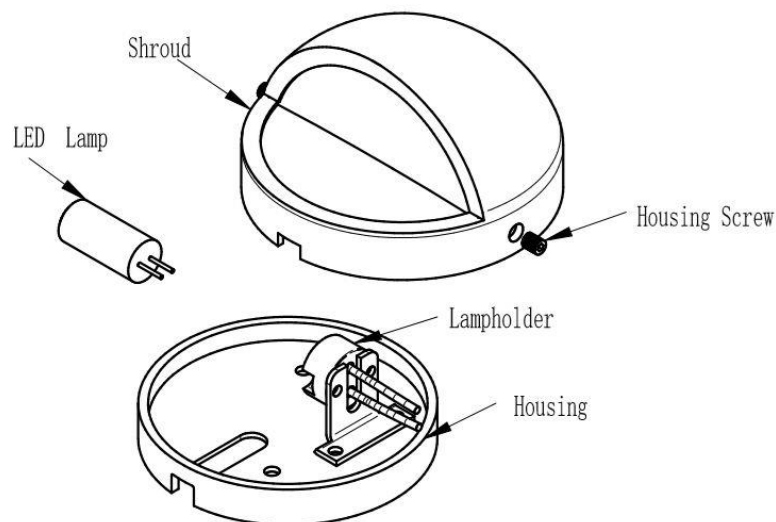
- Turn power OFF or unplug fixture and allow it to cool before replacing lamp.
- Lamp gets HOT quickly. Contact only switch/plug when turning on.
- Do not touch hot lens, guard, or fixture housing until it has cooled.
- Keep lamp away from combustibles.
- Do not touch lamp if using a halogen lamp. Use a soft cloth. Oil from skin may damage lamp.
- Do not operate the fixture fitting with a missing or damaged shield.

#### IMPORTANT SAFETY INSTRUCTIONS

- For outdoor use only.
- Make sure the power is turned OFF before installing or servicing this fixture.
- WARNING: Risk of electrical shock. Install all fixtures 10 feet (3.05 m) or more from a pool, spa, or fountain.
- This fixture is to be used with a low voltage power supply that does not exceed 15V.
- Position the wire and wire connector so that is connected within 6 inches (15.2 cm) from a building structure, a fixture or fitting.
- The fixture wiring should be buried at a depth of six inches or less to ensure connectivity to the main supply cable.

#### LAMP INSTALLATION/REPLACEMENT INSTRUCTIONS

- 1) Loosen the two shroud screws with included wrench and remove the shroud from the fixture housing.
- 2) Insert a T3 bi-pin lamp (20W max) into the lamp socket.
- 3) Replace shroud and secure with the two included shroud screws to the fixture housing.



## DL2100 Installation Instructions

### FIXTURE MOUNTING INSTRUCTIONS

- 1) Disconnect transformer from main power supply.
- 2) Place the housing on the desired mounting location and mark hole locations for the fixture mounting screws.
- 3) Drill pilot holes in the two positions for the mounting screws.
- 4) Place the housing on the mounting location and secure with two wood screws.
- 5) Insert a T3 bi-pin lamp (20W max) into the lamp socket.
- 6) Replace shroud and secure with the two included shroud screws to the fixture housing.
- 7) Strip the two fixture wires.
- 8) Attach the two fixture wires to the two main supply cable leads using waterproof connectors.
- 9) Reconnect the transformer to the primary power supply.

