

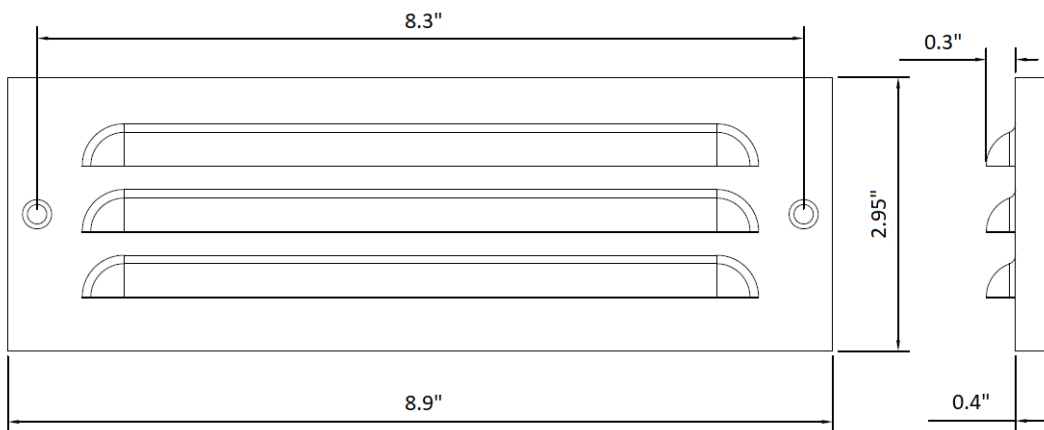
I-SLC2100WB Installation Instructions

SAVE THESE INSTRUCTIONS

IMPORTANT SAFETY INSTRUCTIONS

- For outdoor use only.
- Make sure the power is turned OFF before installing or servicing this fixture.
- **WARNING:** Risk of electrical shock. Install all fixtures 10 feet (3.05 m) or more from a pool, spa, or fountain.
- This fixture is to be used with a low voltage power supply that does not exceed 15V.
- Position the wire and wire connector so that is connected within 6 inches (15.2 cm) from a building structure, a fixture or fitting.
- Not to be buried except for a maximum of 6 inches to connect to the main low voltage cable.

Product Dimensions:

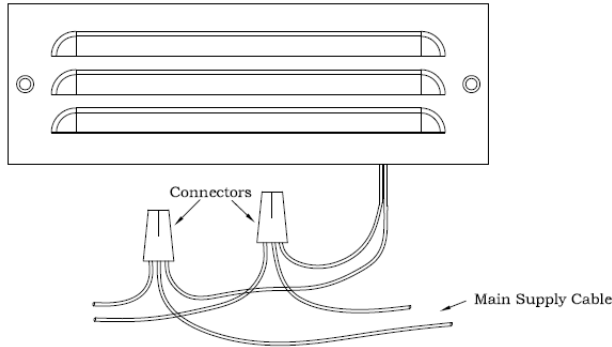


FIXTURE INSTALLATION/REPLACEMENT INSTRUCTIONS

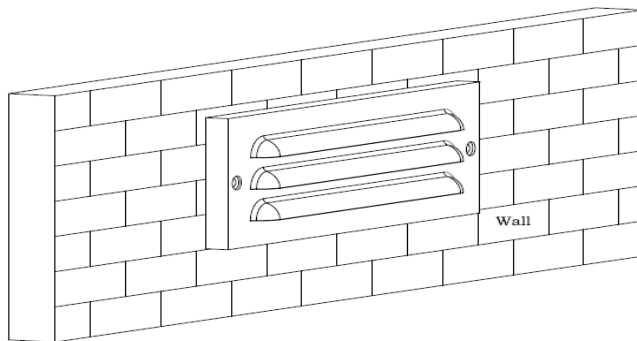
FOR EXISTING WALLS, STEPS AND WOOD DECKS:

1. Determine desired placement location for I-SLC2100WB fixture. Using included template (see page 3), mark center point of thru hole that will be drilled to feed lead wire from fixture through wall or step.
2. Mark location of the 2 mounting holes (210mm or 8 ¼") apart.
3. Where center point of thru hole for lead wire is marked core drill 1" hole through surface.
4. For brick, block, stone, or concrete, drill holes for mounting screws and install appropriate wall anchors. This step is not necessary for wood surfaces.

- Using UL approved weatherproof wire nuts, connect the 2 lead wires on the fixture to the incoming low voltage power supply.



- Feed the connected wires and wire nuts through the 1" hole and into/behind the mounting surface.
- Secure fixture to surface with included screws.



NEW MASONRY, CONCRETE, OR STUCCO WALLS AND STEPS:

- Determine desired location of fixture. Using standard masonry procedures install a 1" conduit or PVC pipe at the location where the center of the fixture will be desired. Conduit should extend all the way through the structure.
- When ready for fixture install, place fixture at desired location and mark the location of the 2 mounting holes. Remove fixture.
- Drill holes for mounting screws and install appropriate wall anchors.
- Using UL approved weatherproof wire nuts, connect the 2 lead wires on the fixture to the incoming low voltage power supply.
- Feed the connected wires and wire nuts into the conduit.
- Secure fixture to surface with included screws.

