

US1301, US1319, US1403, US2301, US2319, US2403, US2607, US2609 Series Installation Instructions

SAVE THESE INSTRUCTIONS

WARNING – TO REDUCE THE RISK OF FIRE OR INJURY TO PERSONS:

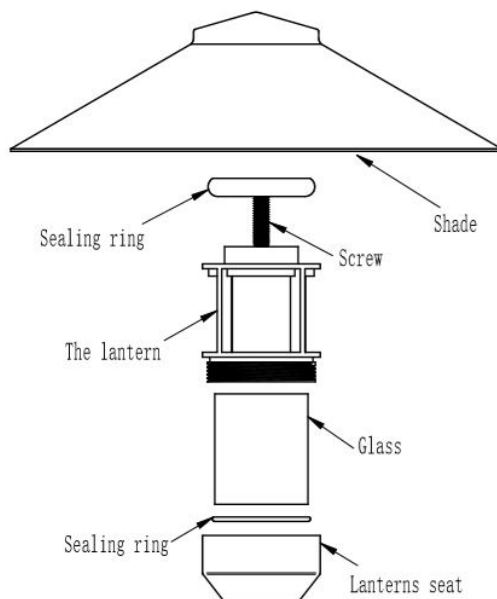
- Turn power OFF or unplug luminaire and allow it to cool before replacing lamp.
- Lamp gets HOT quickly. Contact only switch/plug when turning on.
- Do not touch hot lens, guard, or luminaire housing until it has cooled.
- Keep lamp away from combustibles.
- Do not touch lamp. Use a soft cloth. Oil from skin may damage lamp.
- Do not operate the luminaire fitting with a missing or damaged shield.

IMPORTANT SAFETY INSTRUCTIONS

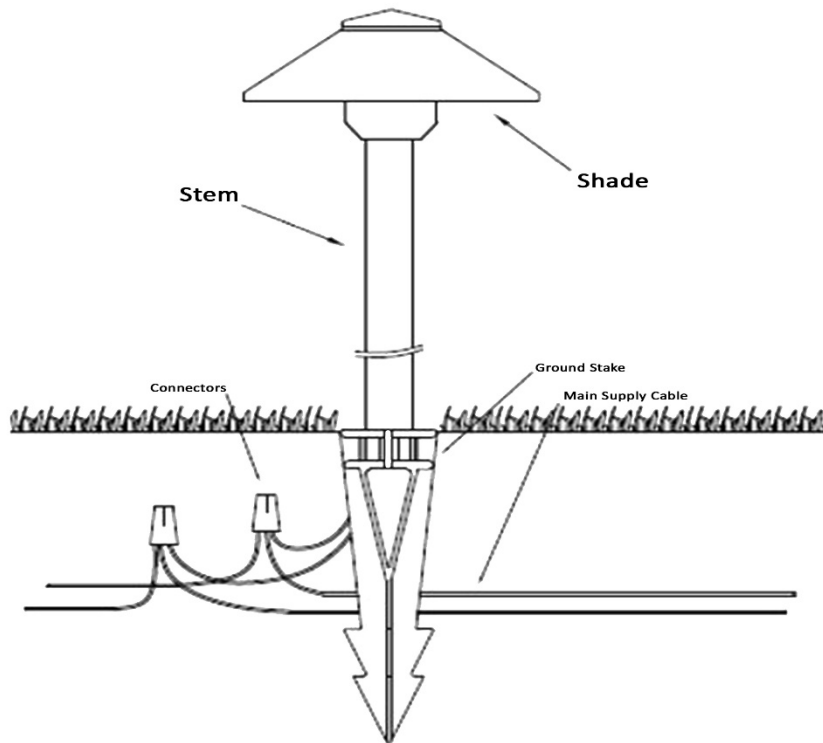
- For outdoor use only.
- Make sure the power is turned OFF before installing or servicing this luminaire.
- **WARNING:** Risk of electrical shock. Install all luminaires 10 feet (3.05 m) or more from a pool, spa, or fountain.
- Position the wire and wire connector so that is connected within 6 inches (15.2 cm) from a building structure, a luminaire or fitting.
- Not to be buried except for a maximum of 6 inches to connect to the main low voltage cable.

FIXTURE MOUNTING INSTRUCTIONS

- 1) Disconnect transformer from main power supply.
- 2) Attach the top of the lens assembly to the path light top by threading the small hole on the lens assembly with the top screw and rotating the lens clockwise to the top.
- 3) Insert T3 bi-pin lamp with correct wattage as marked on fixture label into socket located at top of stem.



- 4) Attach the bottom of the lens assembly to the Up post (sold separately).
- 5) Run pigtail wire from fixture through the ground stake mounting hole



- 6) Insert composite ground stake in desired location until flange of stake is flush to grade.
- 7) Screw stem into top of stake and tighten until snug
- 8) Strip the two fixture pigtail wires and connect them to the main low voltage supply cable lead with wire connectors

LAMP INSTALLATION/REPLACEMENT INSTRUCTIONS

- 1) Unscrew lens assembly from Up post (sold separately).
- 2) Insert T3 bi-pin lamp with correct wattage as marked on fixture label.
- 3) Attach the bottom of the lens assembly to the stem.