

## Universal Well Cover UC1300BZ/UC1301BZ

### FIXTURE SPECIFICATIONS:

**Fixture Material:**

Heavy duty Cast aluminum.

**Finish:**

Weather resistant polyester powder coated finish available in Bronze.

**Dimensions:**

4.875" W x 4.5" H

**Lens Type:**

Heat resistant curved glass.

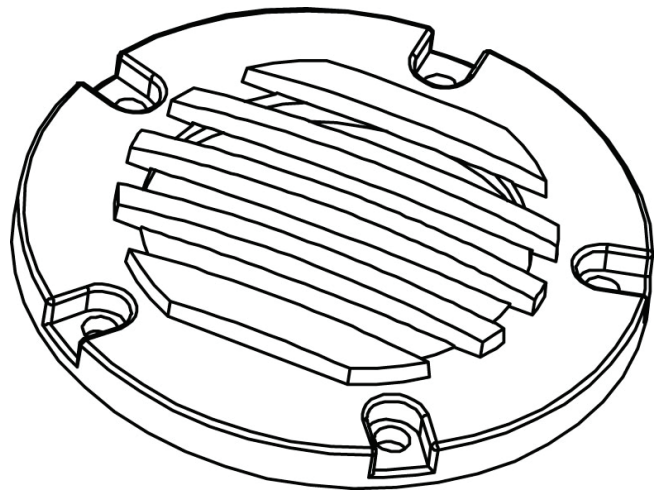
**Mounting/Fasteners:**

EPDM Rubber gasket and 5 Stainless Steel mounting screws.

CETL listed and approved



UC1300



UC1301

