

Directional Spotlight Hi-DS1560BK/BZ Installation Instructions

SAVE THESE INSTRUCTIONS

WARNING – TO REDUCE THE RISK OF FIRE OR INJURY TO PERSONS

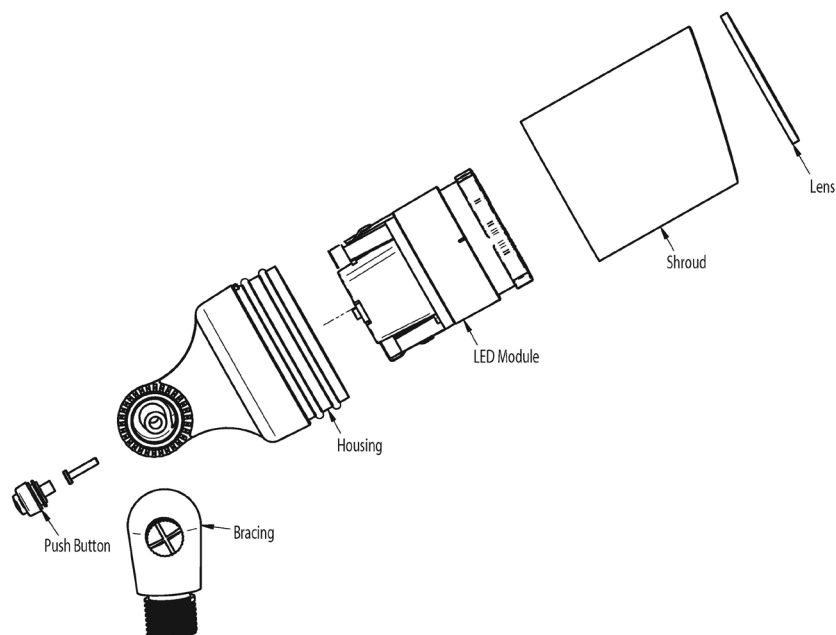
- Turn power OFF or unplug luminaire and allow it to cool before replacing lamp.
- Lamp gets HOT quickly. Contact only switch/plug when turning on.
- Do not touch hot lens, guard, or luminaire housing until it has cooled.
- Keep lamp away from combustibles.
- Do not touch lamp. Use a soft cloth. Oil from skin may damage lamp.
- Do not operate the luminaire fitting with a missing or damaged shield.

IMPORTANT SAFETY INSTRUCTIONS

- For outdoor use only.
- Make sure the power is turned OFF before installing or servicing this luminaire.
- WARNING: Risk of electrical shock. Install all luminaires 10 feet (3.05 m) or more from a pool, spa, or fountain.
- Position the wire and wire connector so that is connected within 6 inches (15.2 cm) from a building structure, a luminaire or fitting.
- Not to be buried except for a maximum of 6 inches to connect to the main low voltage cable.

LAMP INSTALLATION/REPLACEMENT INSTRUCTIONS

1. Remove shroud from the fixture housing, slowly rotating and pulling the shroud away from the fixture body.
2. The Hi-DS1560BK/BZ comes with a pre-installed LED Module. To replace the LED module slide it out of the fixture body and disconnect the quick disconnect wiring harness. Connect the replacement LED Module by connecting the quick connect wiring harness and slide the LED Module into place. Adjust lumen output by pushing the external button at the base of the fixture, and adjust the beam spread by turning the beam adjustment ring at the top of the LED Module.
3. Replace shroud by slowly twisting and pushing it down onto the fixture base.



Directional Spotlight Hi-1560BK/BZ Installation Instructions

FIXTURE MOUNTING INSTRUCTIONS

1. Disconnect transformer from main power supply.
2. Remove shroud from the fixture housing. This has a twist lock feature.
3. Insert MR16 lamp (35W max) into the lamp socket.
4. Replace shroud and secure with screws to the fixture housing.
5. Run lead wire from fixture through the ground stake mounting hole.
6. Insert composite ground stake in desired location until flange of stake is flush to grade.
7. Screw fixture into top of stake and tighten until snug.
8. Strip the two fixture lead wires and connect them to the main low voltage supply cable lead with silicone filled wire connectors.

