



AF2300WB

Brass Area Flood

FINISH	MODEL NUMBER	HOUSING	LED
Weathered Bronze	AF2300WB	Brass	No Lamp
	AF2300WB-LXC2	Brass	LXC2MR16
	AF2300WB-LV2T3	Brass	LV2T3

SPECIFICATIONS:

Fixture Material:

- Heavy duty cast brass

Finish:

- 7 stage chemically aged, weathered bronze (WB) brass finish. Finish will patina / tarnish depending on environmental conditions.

Socket Type:

- Hi-temp ceramic socket w/ nickel contacts, stainless steel springs and Teflon jacketed wire leads.

Lens Type:

- Clear or frosted lens with heat resistant interchangeable gasket.

Dimensions:

- 6.75" L x 4" W x 3" H (Front)

Lamp Type:

- MR-16 50w max or T3 bipin 35w max

Mounting/ Fasteners:

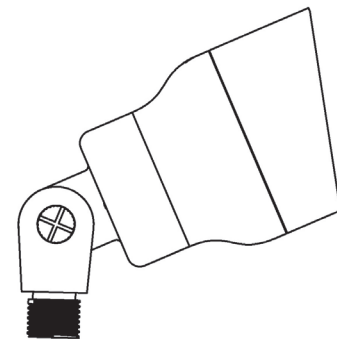
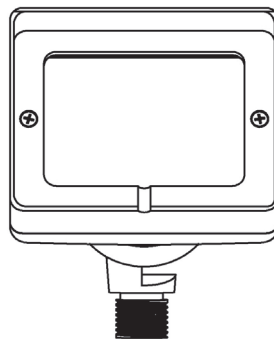
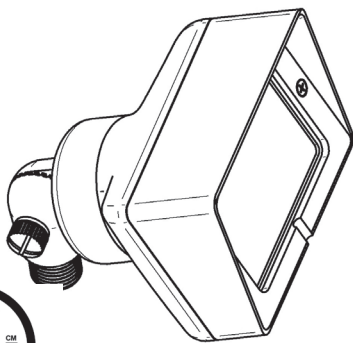
- Stainless steel fasteners, brass knuckle screw. Included (GS1) ABS ground stake, 1/2" NPT thread slotted for easy wire installation.

Wiring:

- EPDM rubber bug plug with prewired 3' 18/2 awg direct-bury landscape lighting wire.

Certification:

- CETL listed and approved



Intertek