

AF2160WB/CB Installation Instructions

SAVE THESE INSTRUCTIONS

WARNING – TO REDUCE THE RISK OF FIRE OR INJURY TO PERSONS

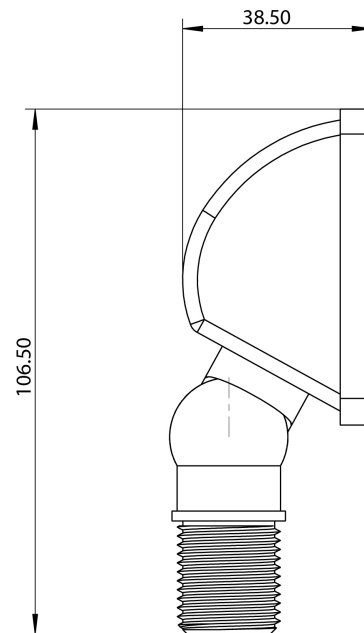
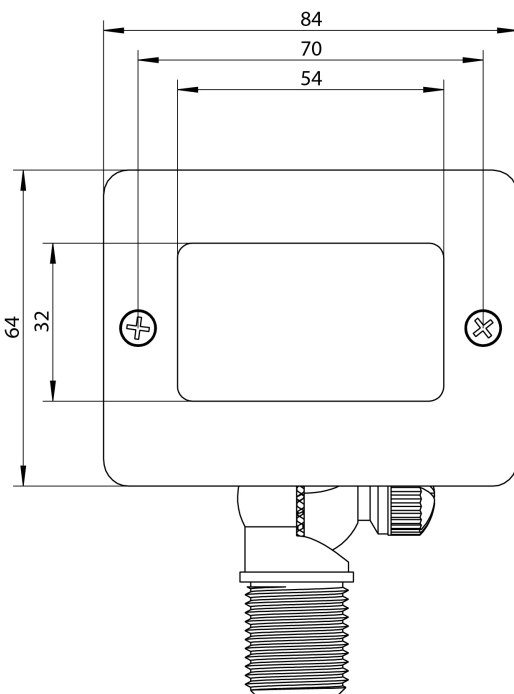
- Turn power OFF or unplug fixture and allow it to cool before removal.
- Luminaire gets HOT quickly. Contact only switch/plug when turning on.
- Do not touch hot lens, guard, or fixture housing until it has cooled.
- Keep luminaire away from combustibles.

IMPORTANT SAFETY INSTRUCTIONS

- For outdoor use only.
- Make sure the power is turned OFF before installing or servicing this fixture.
- WARNING: Risk of electrical shock. Install all fixtures 10 feet (3.05 m) or more from a pool, spa, or fountain.
- This fixture is to be used with a low voltage power supply that does not exceed 15V.
- Position the wire and wire connector so that is connected within 6 inches (15.2 cm) from a building structure, a fixture or fitting.
- Not to be buried except for a maximum of 6 inches to connect to the main low voltage cable.

FIXTURE MOUNTING INSTRUCTIONS

1. Disconnect transformer from main power supply.
2. Thread the post onto the fixture.
3. Thread the lower portion of the post to the GS-Mini ground stake provided.
4. Strip the two fixture wires.
5. Attach the two fixture wires to the main supply cable leads using waterproof connectors.
6. Reconnect the transformer to the primary power supply.



AF2160WB/CB Installation Instructions

